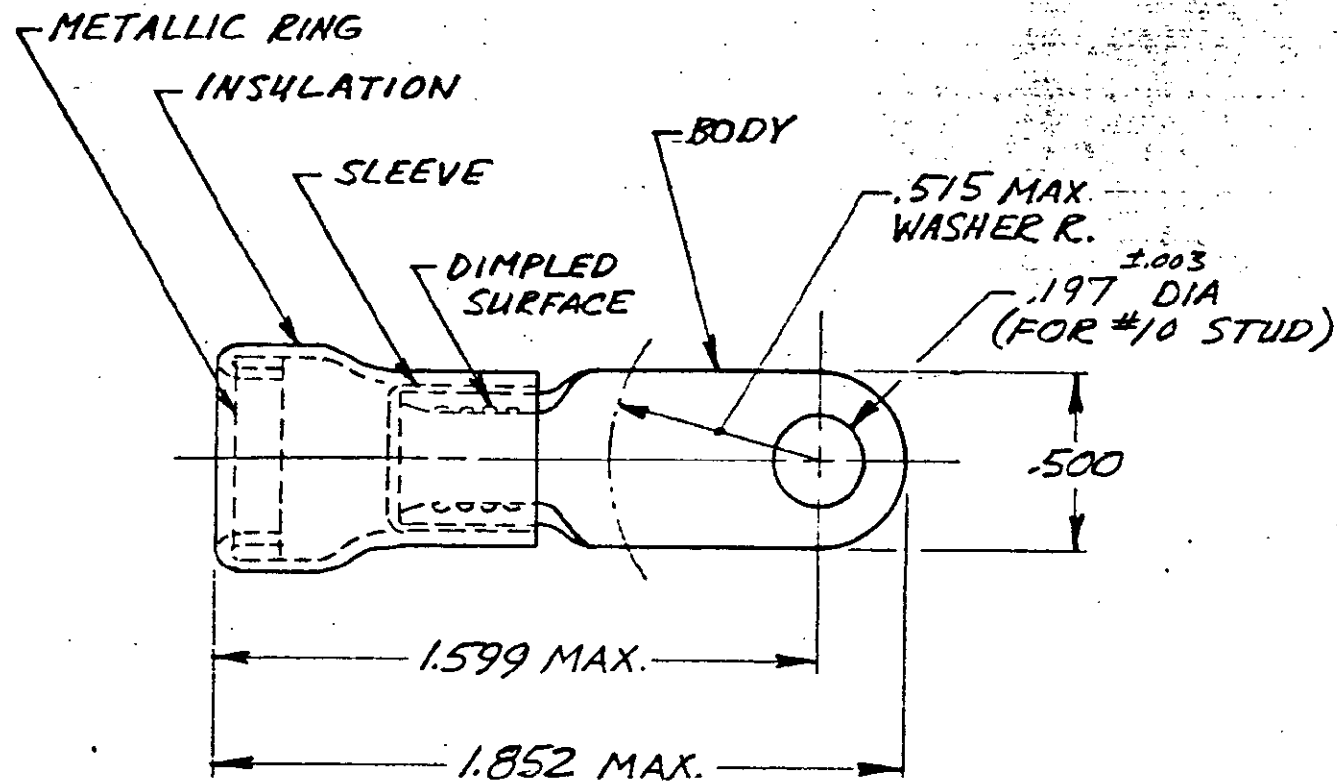


© COPYRIGHT 1953 BY AMP INCORPORATED, HARRISBURG, PA.  
 ALL INTERNATIONAL RIGHTS RESERVED. AMP INCORPORATED PRODUCTS  
 COVERED BY U. S. AND FOREIGN PATENTS AND/OR PATENTS PENDING.

REVISIONS						
P	F	ZONE	LTR	DESCRIPTION	DATE	APPROVED
✓	✓		D	REDRAWN & REVISED PER BEN P-7004	10/23/78	ALM
✓	✓		E	REV. G-4680	7MS 5-2-88	JT
			F	OBS 2--1 PER 0720-0939-96	5/96	DKS DMS



FOR 377 MAX. WIRE INS. DIA.  
 TONGUE MATERIAL THK. = .045 ±.003

QTY.	DESCRIPTION	PART. No ON TAPE	MATERIALS & FINISH	PART NO
1	WIRE TERMINAL	<del>2-322050-1</del>	BODY: COPPER (QQ-C-576) TIN PL (MIL-T-10727) INSULATION PVC COLOR: BLUE METALLIC RING: STEEL (QQ-S-898) SLEEVE: COPPER (QQ-C-576)	322050

UNLESS OTHERWISE SPECIFIED DIMENSIONS ARE IN INCHES. TOLERANCES ON: DECIMALS ± .008 ANGLES ± 5°	CONTRACT NO		AMP INCORPORATED Harrisburg, Pa.
	DR	L.E. BRUNN 10/23/78	
MATERIAL SEE TABLE	CHK	(Signature) 10/24/78	NAME TERMINAL AMPLI-BOND - RING TONGUE WIRE SIZE: 6
	APPD		SIZE <b>B</b>
FINISH SEE TABLE	DSGN APPD	(Signature) 10/24/78	CODE IDENT NO 00779
	OTHER APPD		DRAWING NO 322050
SCALE		N.T.S.	SHEET 10/1